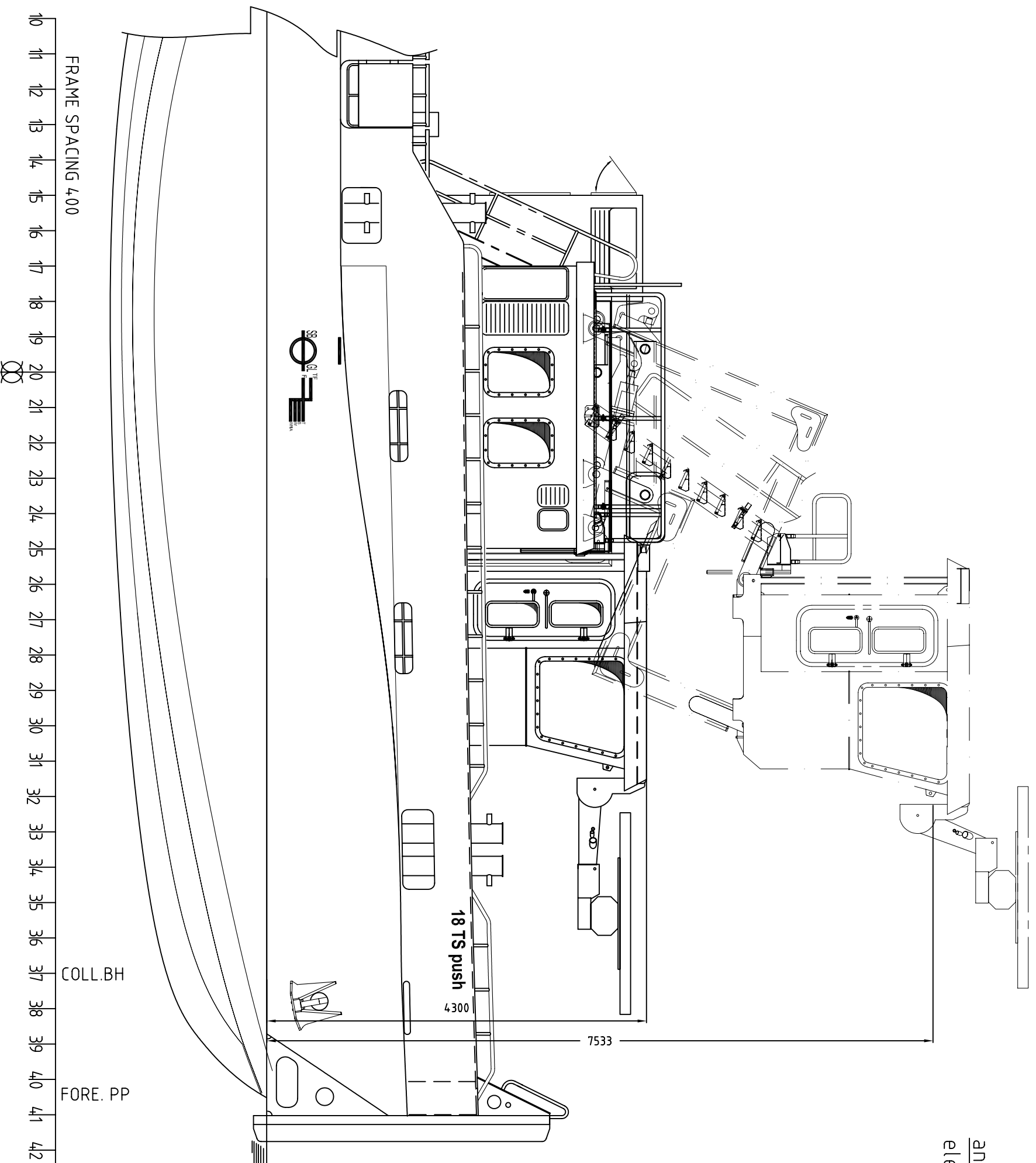




angehobenes Steuerhaus  
elevated wheelhouse



Wederbater sowie Vervielfältigung dieses Dokuments, Verwertung und Mitteilung seines Inhalts, auch auszugsweise, sind verboten, soweit nicht ausdrücklich gestattet. Alle Rechte für den Fall der Patent-, Gebrauchsmuster- oder Geschmackschutzrechtsverletzung vorbehalten.

The reproduction, distribution and utilization of this document as well as the communication of its contents, in any form or by any means, is prohibited, unless expressly permitted in writing. All rights reserved in the event of the grant of a patent, utility model or design.

|     |                 |      |     |      |            |      |
|-----|-----------------|------|-----|------|------------|------|
| 03  | as built        | CJ   | MB  | MB   | 2009-06-11 |      |
| 02  | for information | KR   | HG  | RK   | 2008-04-11 |      |
| 01  | IDC             | KR   | HG  |      | 2008-04-04 |      |
| 00  | IDC             | KR   | HG  |      | 2008-03-18 |      |
| Rev | Description     | Name | Chk | Appr | Auth       | Date |

client:



**NavConsult**  
marine engineering and consulting

date: 2008-03-18  
name: KR  
approved: KR  
project: NAVTUG 18TS push  
client: Cernon 32 D-20457 Hamburg

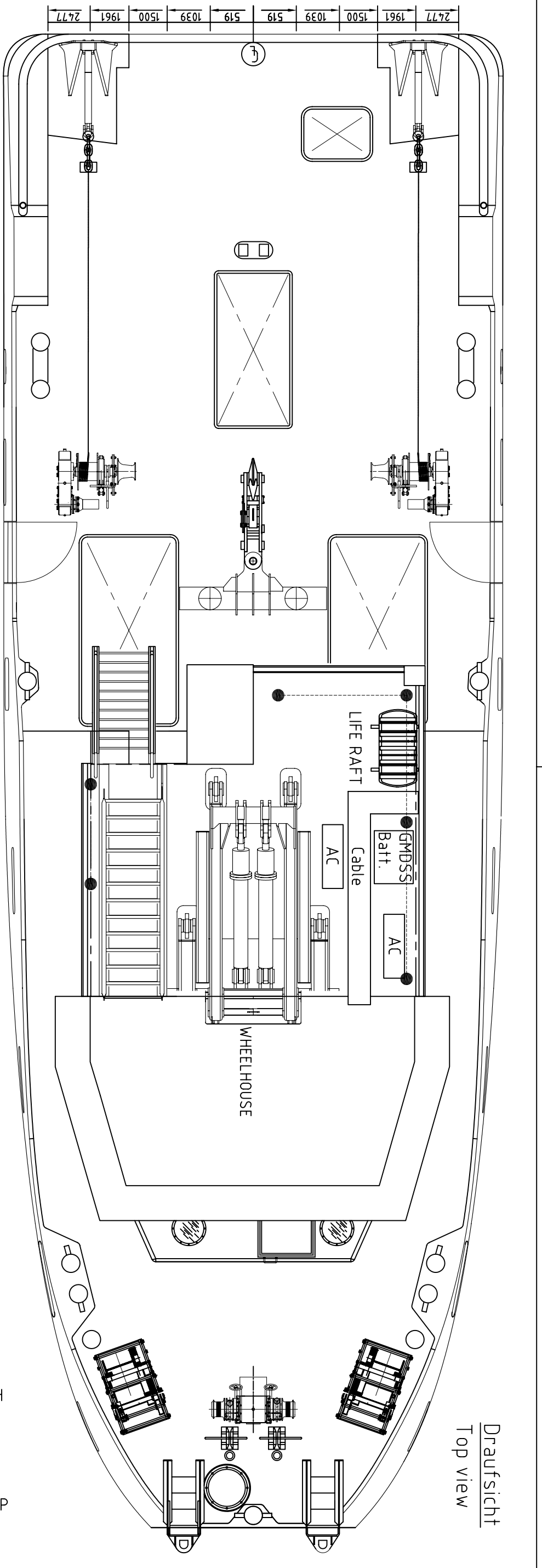
title:  
**General Arrangement**

**Detail Hub-Fahrstand  
Elevated Wheelhouse**

document:  
**N410 DRA 10-001-02**

sheet/of: 2 / 5  
size: A 3  
scale: 1 : 50  
© COPYRIGHT 2008 - Overdick GmbH & Co.KG  
All rights reserved

location: NCO11-214-001-x



-4 -3 -2 -1 0 1 2 3 4 5 6 7 8 9 10 11 12 13 14 15 16 17 18 19 20 21 22 23 24 25 26 27 28 29 30 31 32 33 34 35

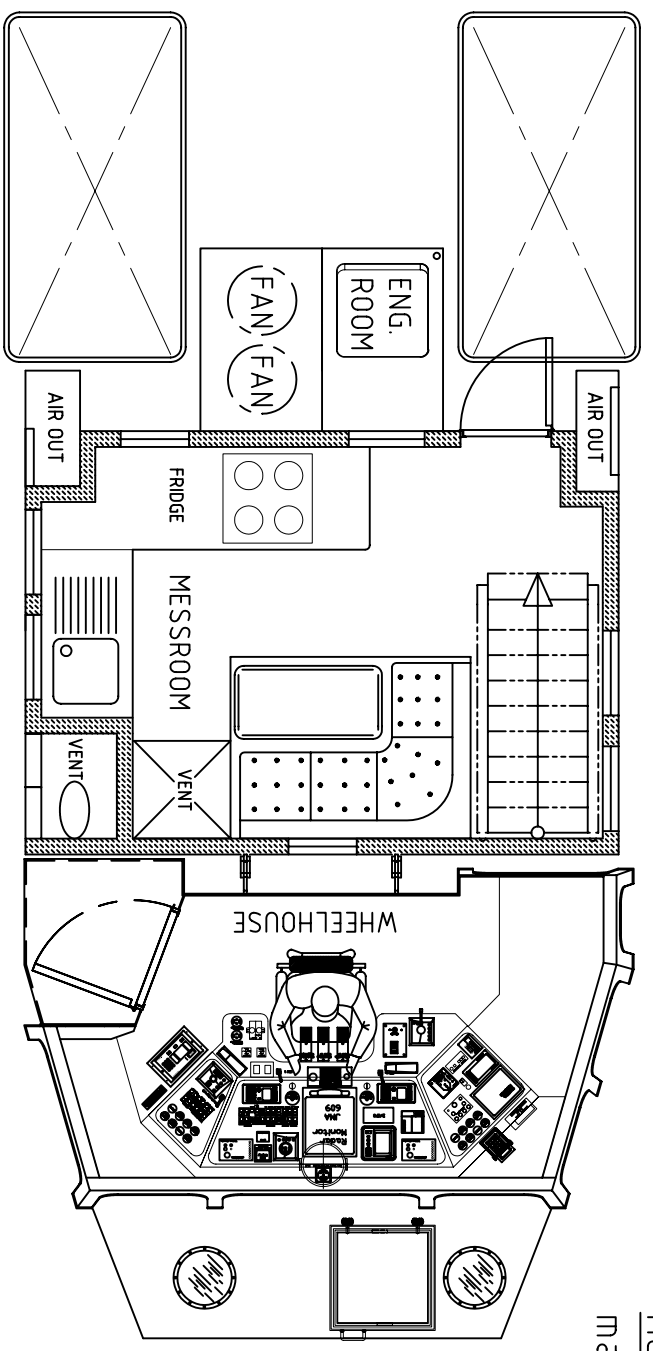
HL

FRAME SPACING 400

COLL.BH

FORE. PP

**Hauptdeck-Einrichtung**  
main deck-interior



Wahrungsbare sowie Vervielfältigung dieses Dokuments, Verwertung und Mitteilung seines Inhalts, auch auszugsweise, sind verboten, soweit nicht ausdrücklich gestattet. Insbesondere dürfen Vervielfältigungen für andere Zwecke und die Verbreitung durch elektronische Medien ohne schriftliche Genehmigung aller Rechte für den Fall der Patent-, Gebrauchsmuster- oder Geschmackschutzverletzung vorbehalten.

The reproduction, distribution and utilization of this document as well as the communication of its contents, also partly, is expressly prohibited. In particular, reproduction for other purposes and the distribution by electronic means without written permission of all rights reserved in the event of the grant of a patent, utility model or design.

10 11 12 13 14 15 16 17 18 19 20 21 22 23 24 25 26 27 28 29 30 31 32 33 34 35

|     |                 |      |     |      |      |            |
|-----|-----------------|------|-----|------|------|------------|
| Rev | Description     | Name | Chk | Appr | Aufh | Date       |
| 03  | as built        |      |     |      |      | 2009-06-11 |
| 02  | for information | KR   | HG  | RK   |      | 2008-04-11 |
| 01  | IDC             | KR   | HG  |      |      | 2008-04-04 |
| 00  | IDC             | KR   | HG  |      |      | 2008-03-18 |

client: \_\_\_\_\_

date: 2008-03-18

name: KR

approved: \_\_\_\_\_

project: NAVTUG 18TS push

title: General Arrangement

document: N410 DRA 10-001-02

location: NC011-214-001-x

sheet/ofs: 3 / 5

size: A 3

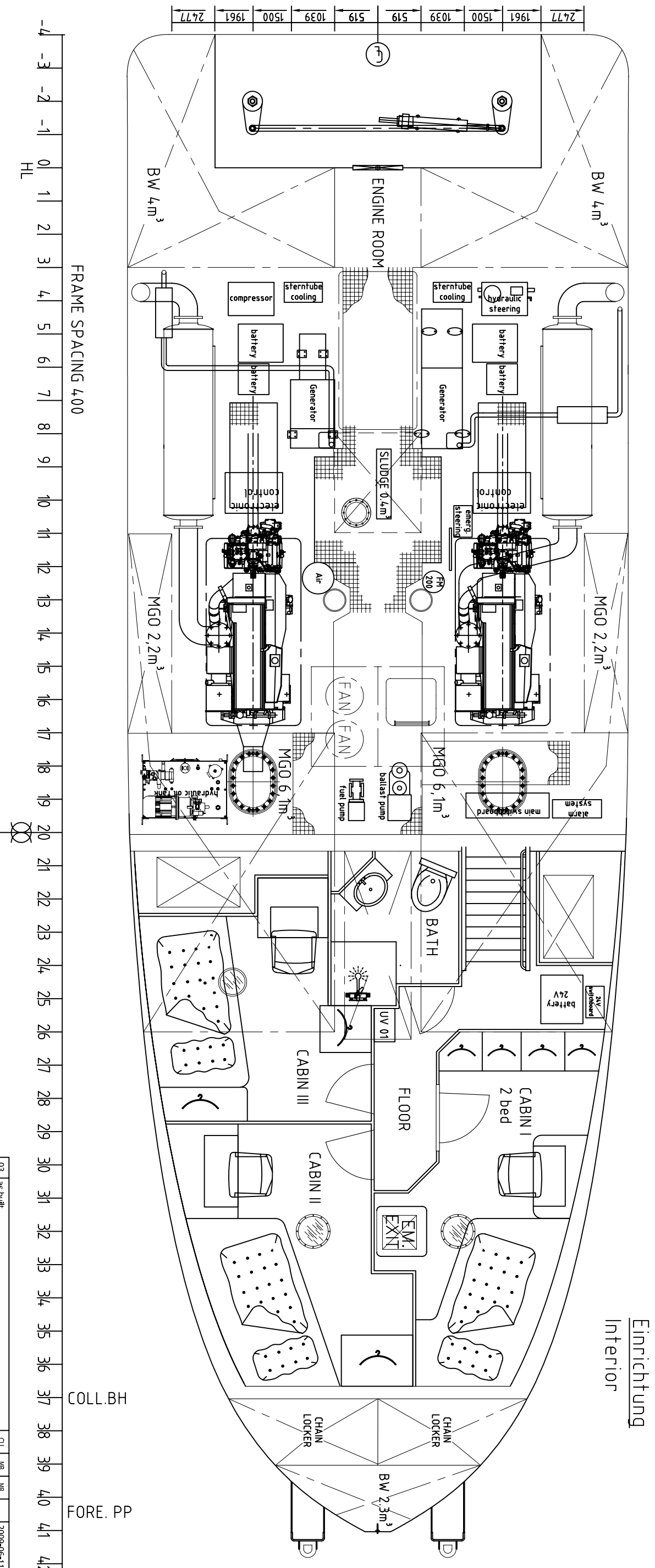
scale: 1 : 50

© COPYRIGHT 2008 - Overdick GmbH & Co.KG

All rights reserved



**OVERDICK**  
GmbH & Co.KG  
D-20457 Hamburg



Einrichtung  
Interior

FRAME SPACING 400

-4 -3 -2 -1 0 1 2 3 4 5 6 7 8 9 10 11 12 13 14 15 16 17 18 19 20 21 22 23 24 25 26 27 28 29 30 31 32 33 34 35 36 37 38 39 40 41 42  
HL COLL.BH FORE.PP

|     |                 |      |     |      |            |
|-----|-----------------|------|-----|------|------------|
| 03  | as built        | CU   | MB  | MB   | 2009-06-11 |
| 02  | for information | KR   | HG  | RK   | 2008-04-11 |
| 01  | IDC             | KR   | HG  |      | 2008-04-04 |
| 00  | IDC             | KR   | HG  |      | 2008-03-18 |
| Rev | Description     | Name | Chk | Appr | Date       |



client:  
date: 2008-03-18  
name: KR  
approved:  
project: NAVTUG 18TS push

General Arrangement

Einrichtung  
Interior

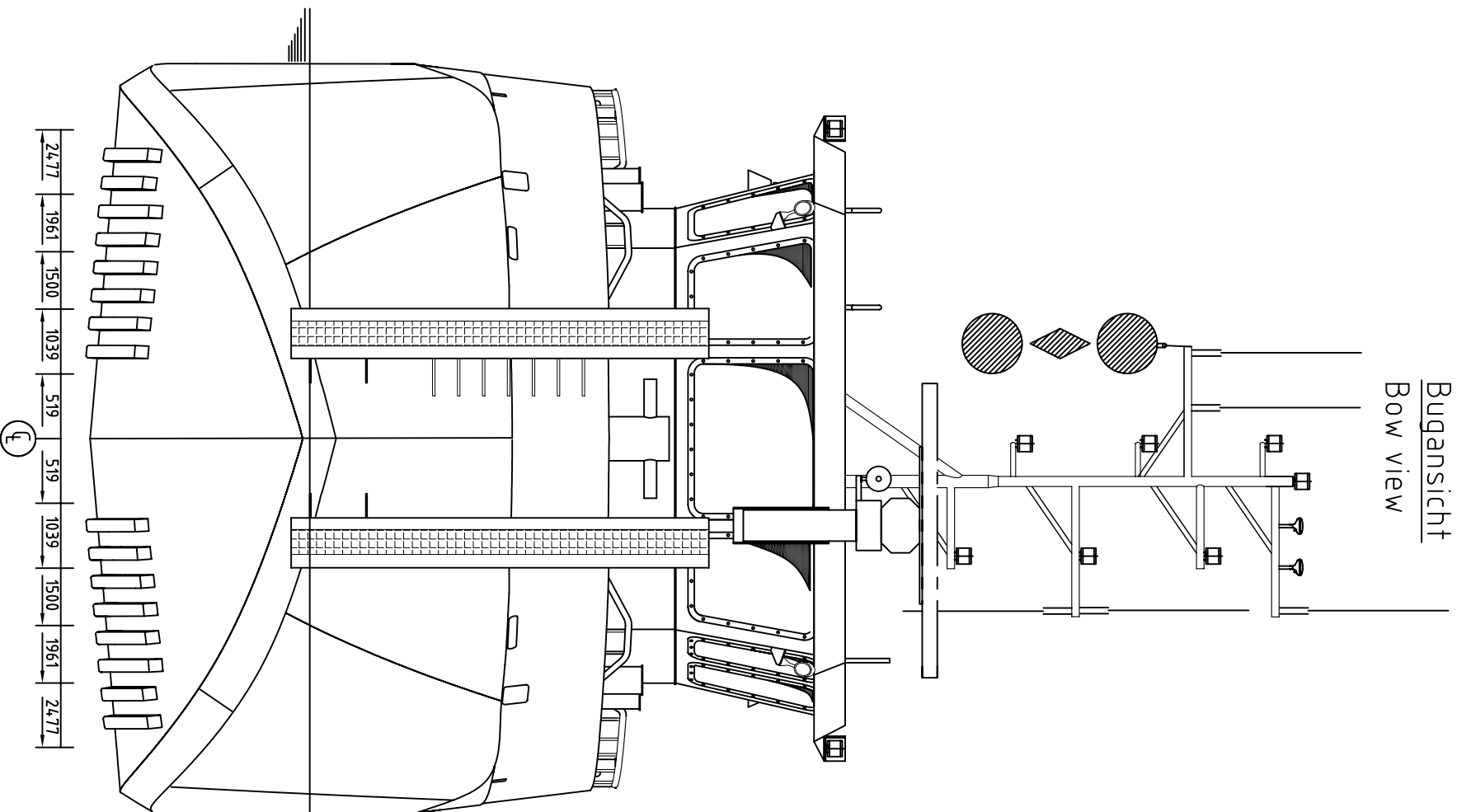
document: N410 DRA 10-001-02  
sheet/ofs: 4 / 5  
size: A 3  
scale: 1 : 50  
location: NC011-214-001-x

Wederbater sowie Veranfertigung diese Dokumente, Verwertung und Weiterleitung solcher Inhalte, auch auszugsweise, sind verboten, soweit nicht ausdrücklich gestattet. Alle Rechte für den Fall der Patent-, Gebrauchsmuster- oder Geschmackschutzverletzung vorbehalten.  
The reproduction, distribution and utilization of this document as well as the communication of its contents, also partly, to others without the express written consent of the author is prohibited. All rights reserved for the payment of damages. All rights reserved in the event of the grant of a patent, utility model or design.

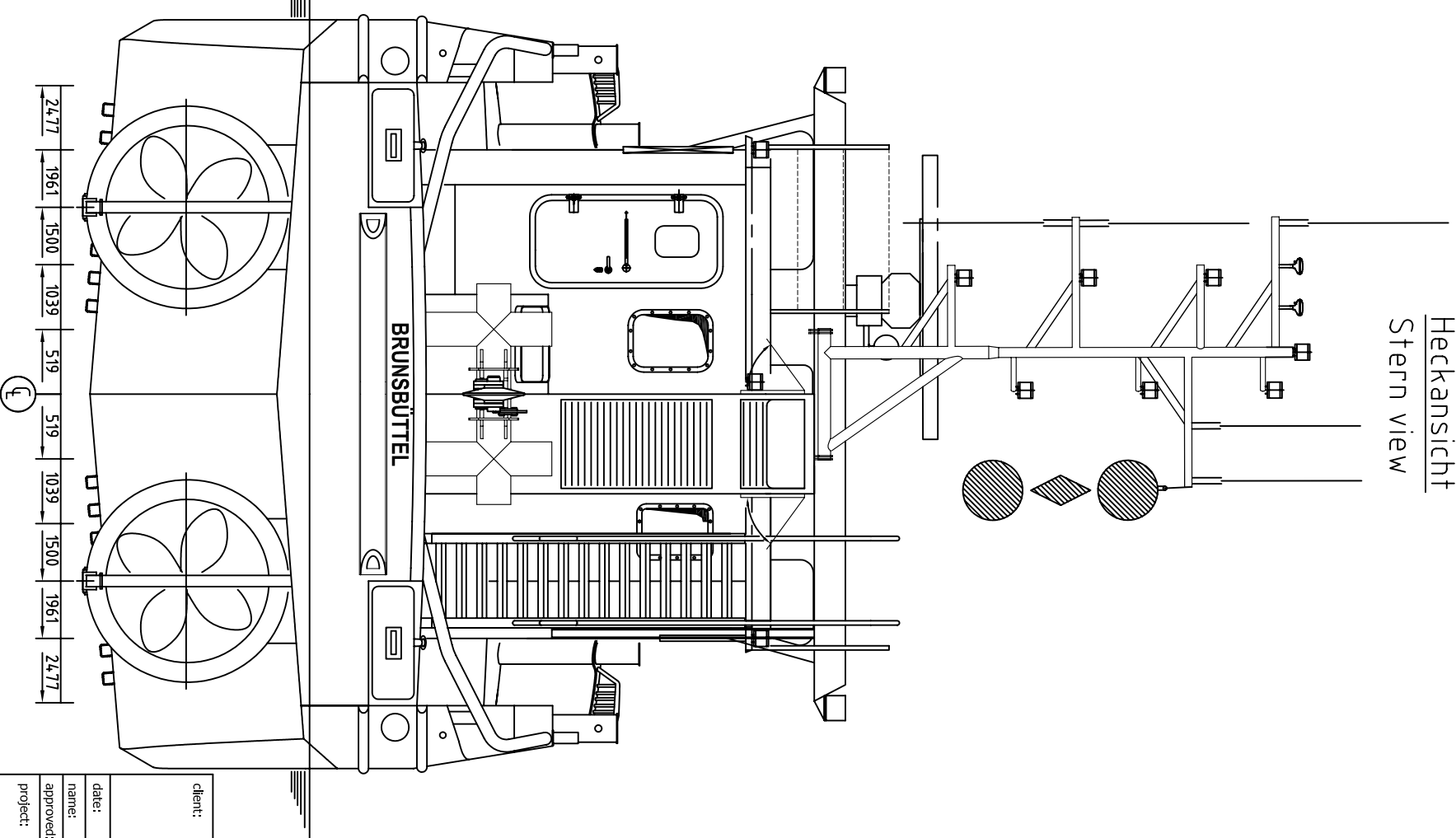
**OVERDICK**  
GmbH & Co.KG  
Cremton 32  
D-20457 Hamburg

© COPYRIGHT 2009 - Overdick GmbH  
All rights reserved  
GmbH & Co.KG

Bugansicht  
Bow view



Heckansicht  
Stern view



Wahrungsbefugnisse vorbehalten. Alle Rechte für den Fall der Patent-, Gebrauchsmuster- oder Geschmacksmustererfindung vorbehalten.

The reproduction, distribution and utilization of this document as well as the communication of its contents, in any form and by any means, is prohibited.

Alle Rechte für den Fall der Patent-, Gebrauchsmuster- oder Geschmacksmustererfindung vorbehalten.

The reproduction, distribution and utilization of this document as well as the communication of its contents, in any form and by any means, is prohibited. All rights reserved in the event of a patent, utility model or design.

|     |                 |      |       |      |      |            |
|-----|-----------------|------|-------|------|------|------------|
| 03  | as built        | CU   | HB    | HB   |      | 2009-06-11 |
| 02  | for information | KR   | HG    | RK   |      | 2008-04-11 |
| 01  | IDC             | KR   | HG    |      |      | 2008-04-04 |
| 00  | IDC             | KR   | HG    |      |      | 2008-03-18 |
| Rev | Description     | Name | Check | Appr | Auth | Date       |

client:



**NavConsult**  
maritime engineering and consulting

date: 2008-03-18  
name: KR  
approved: KR  
project: NAVTUG 18TS push

**OVERDICK**  
GmbH & Co.KG  
Cremton 32  
D-20467 Hamburg

title:  
General Arrangement

Bug- und Heckansicht  
Bow and Stern View

document: N410 DRA 10-001-02  
location: NCO11-214-001-x

sheet/of: 5 / 5  
size: A 3  
scale: 1 : 50  
© COPYRIGHT 2009- Overdick GmbH  
All rights reserved GmbH & Co.KG